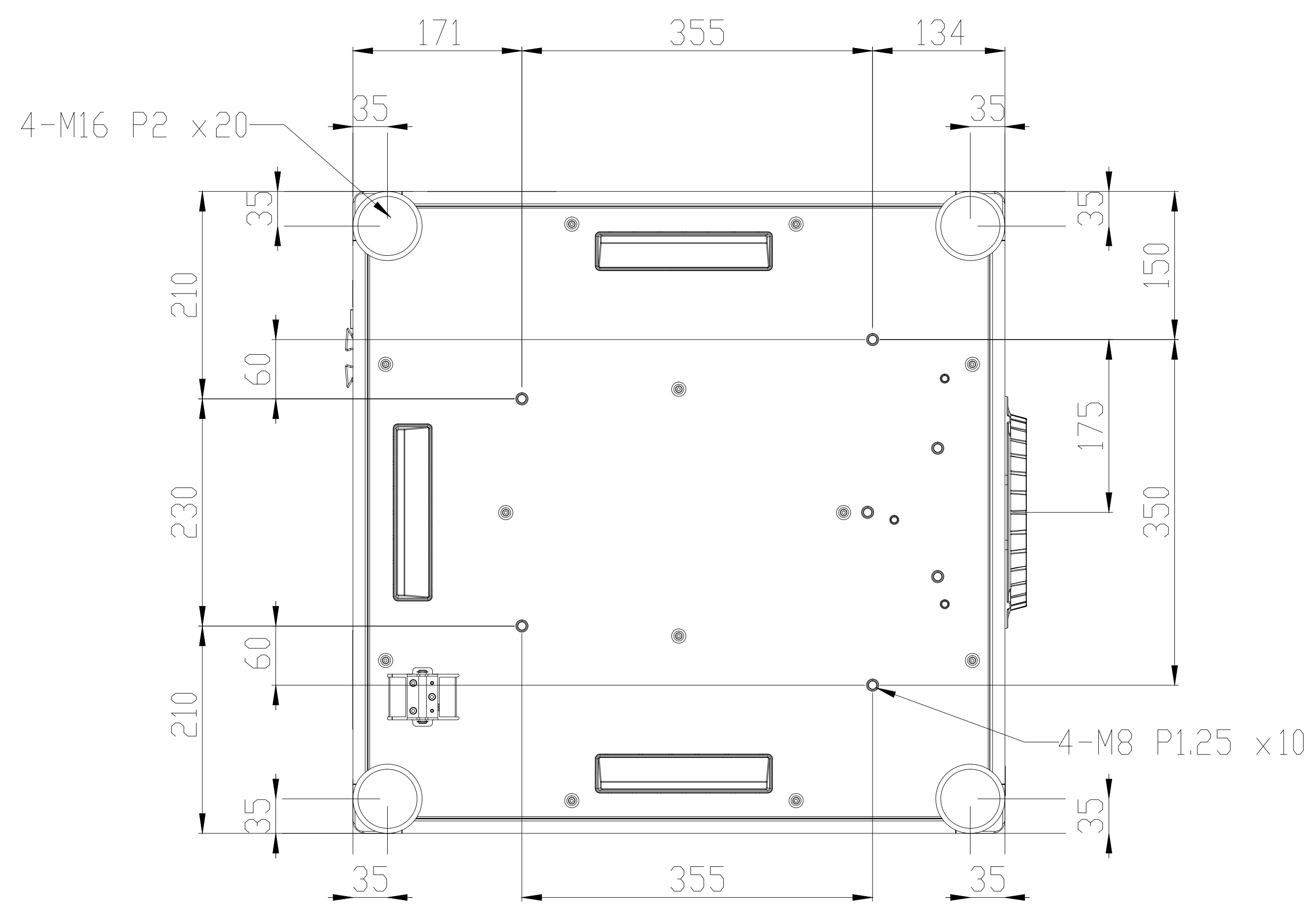
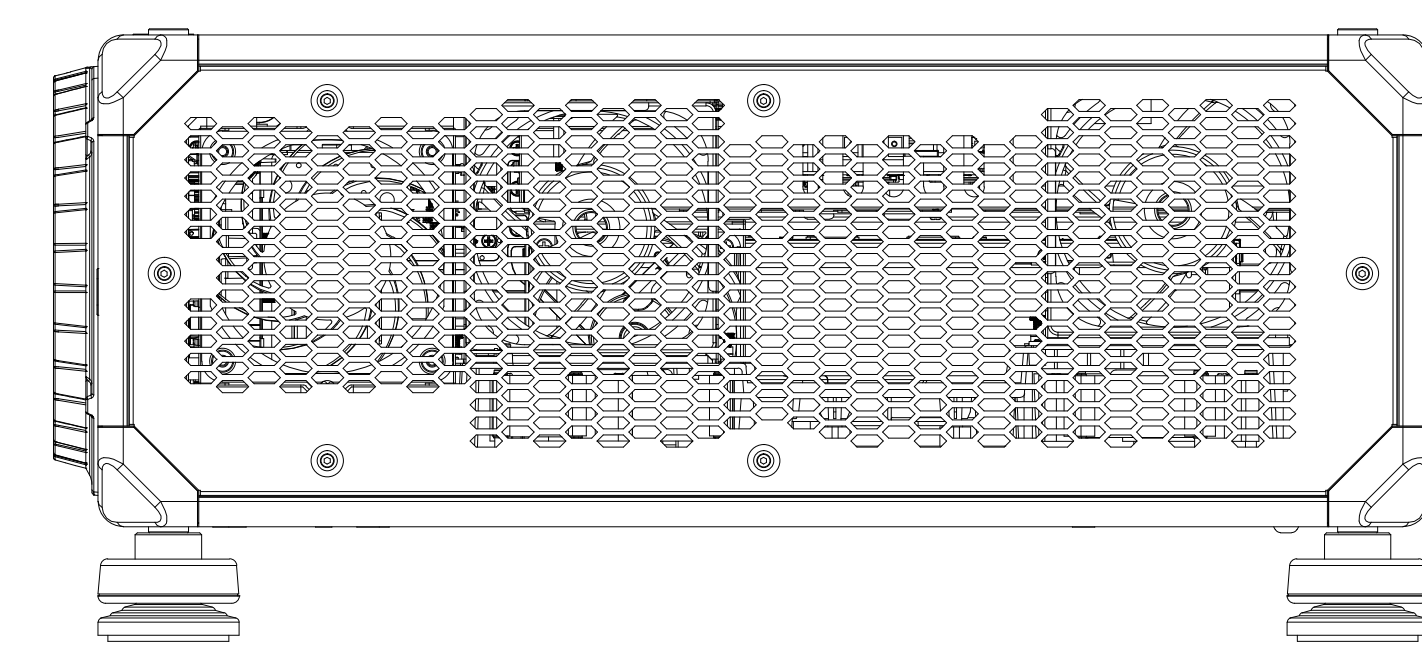
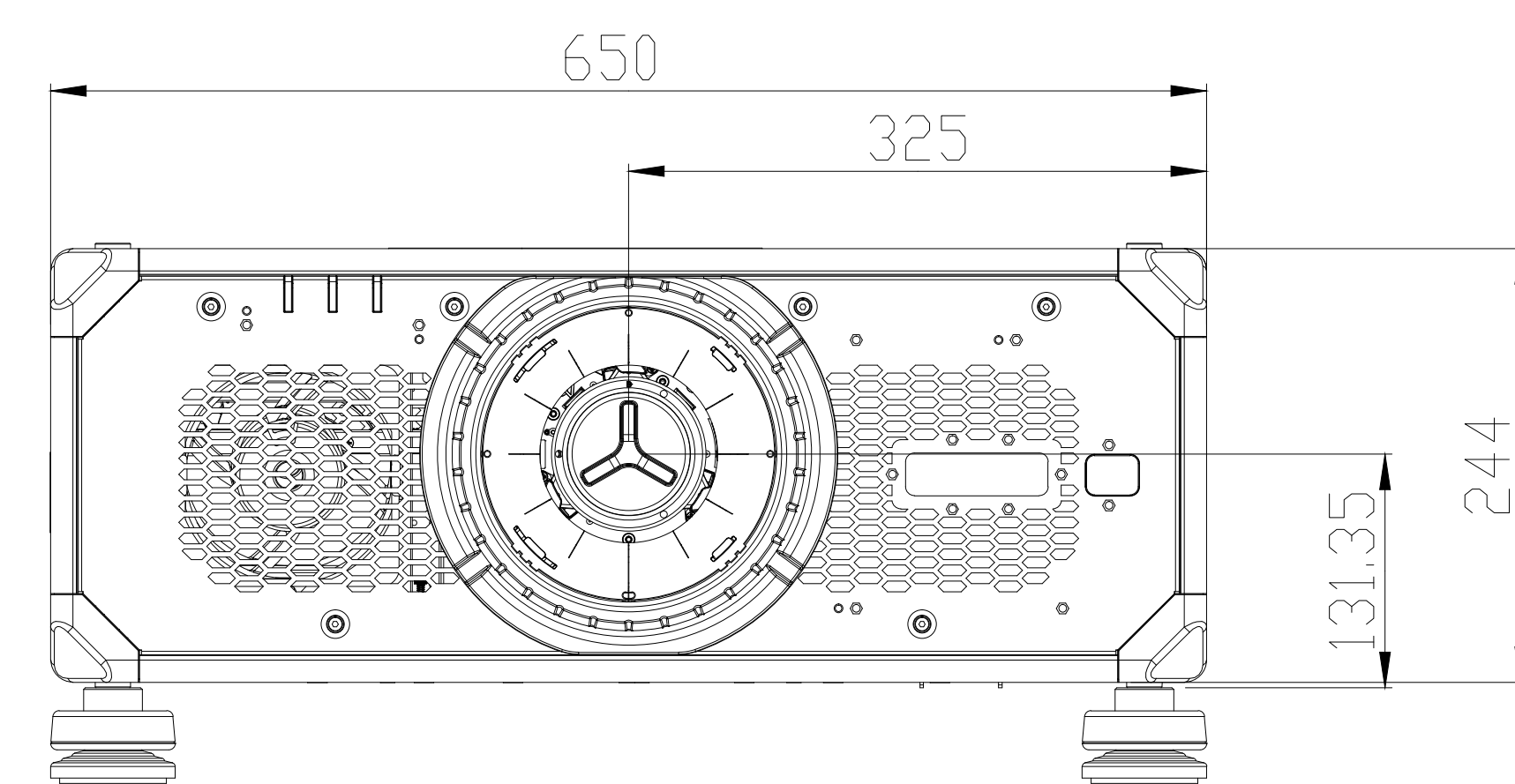
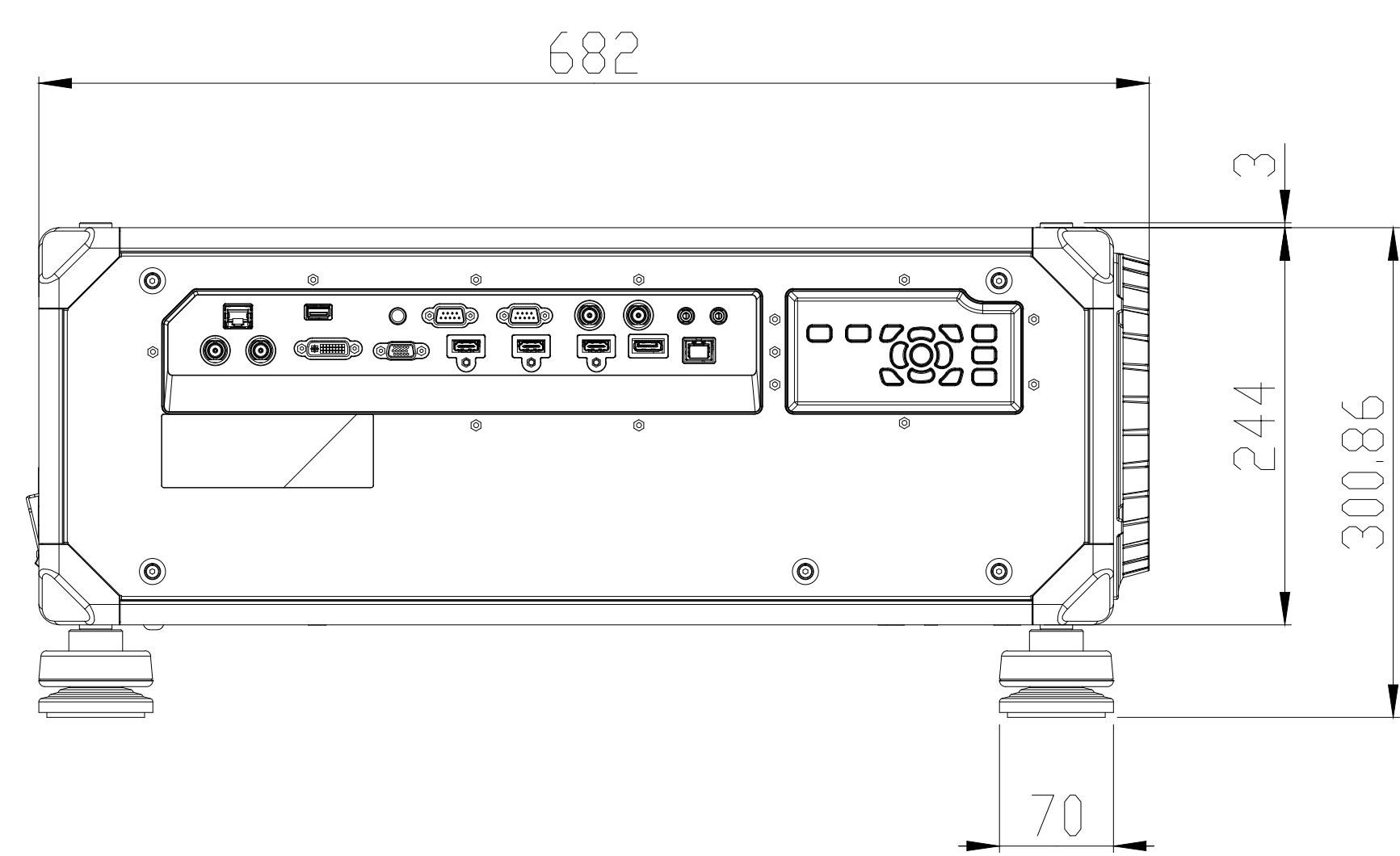


POWER CORD LOCATION



GENERAL NOTES
 OPERATING TEMPERATURE RANGE:
 for 0 ~ 2500 FT, 0 ~ 50°C, UNIT SHUTDOWN@53±2°C
 for 2500 ~ 5000 FT, 0 ~ 50°C
 for 5000 ~ 10000 FT, 0 ~ 45°C
 TEMPERATURE >40°C OR ALTITUDE > 5000 FT,
 SYSTEM WILL DIM OUTPUT BRIGHTNESS FOR PROJECTOR WORKS NORMALLY.

INPUT:
 AC 100-240V~,50/60Hz,20A
 AC 200-240V~,50/60Hz,13.2A